

Electronic Diffuser User Manual

BEFORE USING:

For your safety, please read and understand this manual before using your product. After reading this manual, please retain for future reference regarding any questions that may arise.


SPECIFICATIONS:

Product Name: The White Company Electronic Diffuser AOD-0902

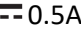
Model number: ARDEDNNA

External Dimensions Ø 93mm x 180mm Height

Diffuser Unit Weight: Approximately 400g (not including AC adaptor)

Input: 100-240V~ 

Power rating: 50/60Hz 0.35A MAX

Output: 24V  0.5A

Tank Capacity: 100ML

Accessories: AC adaptor, User Manual



MADE IN CHINA



Waste electrical products should not be disposed of with household waste. Separate disposal facilities exist, for your nearest facilities, see www.recycle-more.co.uk.

WARNINGS:

Please read and follow all instructions

- **This product is a household electrical appliance.**
- **This product is not intended for use as interior room lighting.**
- **Do not attempt to modify this product.**
- **Do not allow anyone other than a qualified service technician to disassemble or repair this product.** Attempting to modify this product may lead to fire, electrical shock, injury, or product malfunction
- **Never attempt to insert pins, wires, or other foreign objects into the mist diffuser outlet or seams/gaps in the product.** Doing so may lead to electrical shock or injury.
- **Do not allow children to play with the appliance.**
- **Do not use the product if the power cord or plug AC adaptor power cord or plug becomes damaged,** or if the plug does not sit firmly in the electrical outlet socket. Doing so may result in electrical shock, short circuit, or fire.
- **Do not attempt to insert/remove the AC adaptor with wet hands.** Doing so may lead to electrical shock or injury.
- **Do not submerge or pour/splash water on this product or its AC adaptor.** Do not use or store in locations subject to high humidity such as bathrooms, changing rooms, green houses, etc. Doing so may result in short circuits, electrical shock, fire, or product malfunction.

Electronic Diffuser User Manual

- **Never touch the ultrasonic diaphragm in this product.** Never directly touch, damage, or push on the ultrasonic diaphragm. Doing so may cause an accident or malfunction.
- **Do not install or use within the reach of children or pets.** Doing so may result in the product tipping over or in other accidents such as electrical shock or injury
- Replace water in the water tank with clean tap water whenever re-using the product. Periodically clean the water tank, and keep it clean. Failure to do so may result in the growth of bacteria or mould, or may result in bad odours or other conditions that may be harmful to your health. In rare cases, mould or bacteria could lead to hypersensitive reactions.

USING YOUR DIFFUSER:

- Immediately unplug the AC adaptor from the electrical outlet if you notice an abnormal odour, abnormal sound, if the adaptor or diffuser unit becomes unusually hot, or if you notice some other abnormal behaviour. Continuing to use this product despite abnormal operations may result in fire, electrical shock or other injury, or malfunction. When noticing abnormal operation of your product, immediately stop using the product and consult your retailer.
- This device is not a medical inhaler or vaporizer. Do not intentionally inhale mist emitted from the diffuser outlet directly. Doing so may be a hazard to your health. Do not use this product for any other purpose than to emit and diffuse aroma.
- Do not use this product in the following locations. Doing so may result in product breakage, malfunction, or damage to surrounding areas. Do not place in a location that allows mist emitted from the product to come into direct contact with furniture, clothing and other items;
 - Do not place in a location under direct sunlight.
 - Do not place in locations subject to extreme heat such as heaters or sources of flame, or locations subject to direct wind such as near air conditioners.
 - Do not place near electronic appliances, precision equipment, etc.
 - Do not place on soft cushions, shag/pile carpets, etc.
 - Do not place on unstable/non-flat surfaces.
- Always use clean, room-temperature tap water in this product. Using warm/hot water may result in warping or product malfunction.
- Do not touch the diffuser unit while it is in operation or immediately after turning it off. The diffuser unit may become hot during operation, or may be hot immediately after turning it off. Touching the mist for long periods of time or touching the diffuser unit may result in burns.
- Never use neat oil with this product. Always use with water and follow the instructions below. This product is only to be used with the recommended essential or fragrance oils. Never use more than 3 drops of oil per 100ml of water. Do not use oils excessively. The use of other substances may result in toxic gas or fire risk. Allowing fragrance oil to come into direct contact with the ultrasonic diaphragm may result in product malfunction or improper operation.
- Adding fragrance oils to an empty (or low) water tank may result in product malfunction or improper operation.

Electronic Diffuser User Manual

AFTER USE:

- Unplug the AC adaptor from the electrical outlet when not in use. Insulation deterioration may result in short circuit, fire, or electrical shock.
- Only use a neutral detergent when caring for this product. Failure to do so may result in detergent remaining inside the water tank, causing toxic gas or product malfunction.
- Periodically dust off the power plug. Dust build up can result in insulation failure due to humidity, fire, electrical shock, or other accident.
- Perform maintenance and drain water in the right direction by following the methods described in this User's Manual. Improper disposal of waste water may result in water entering electrical components, causing fires, electrical shock, or short circuits.
- Do not remove the outer cover while the product is in operation. Water or essential oil may spill, causing damage to the surrounding area or resulting in product malfunction.
- After use, dispose of any water left in the water tank. Failure to do so may result in malfunction or damage due to water freezing, or may lead to the growth of bacteria, etc.
- Never turn this product on when the water tank is empty. Doing so may result in damage to the ultrasonic diaphragm, malfunction, or leakage.
- Do not block the mist diffuser outlet or the air intake located at the bottom of the product.
- Doing so may prevent proper function or result in damage, improper operation, excessive heat build-up, or malfunction.
- Never attempt to refill this product during operation. Doing so may result in spilling hot water or spouting mist.
- Do not use this product continually for periods in excess of 180 minutes. Doing so may result in excessive heat in the ultrasonic diaphragm and product malfunction.
- When not using this product for an extended period of time, unplug from the electrical outlet.
- When storing, follow the procedures detailed in Care/Storage, allow the product to dry, and then place in storage.

ENJOYING YOUR ULTRASONIC DIFFUSER:

How it works

The diffuser creates high frequency vibrations that break down the water and oil into minute particles which are diffused into the immediate surroundings. Mist volume may fluctuate and operating time may be shorter depending on water temperature, room temperature, and room humidity (Recommended Usage Environment: Room temperature 15°C-25°C, humidity 50%-60%). It can take up to 30 minutes to start to smell the fragrance being diffused.

Timer

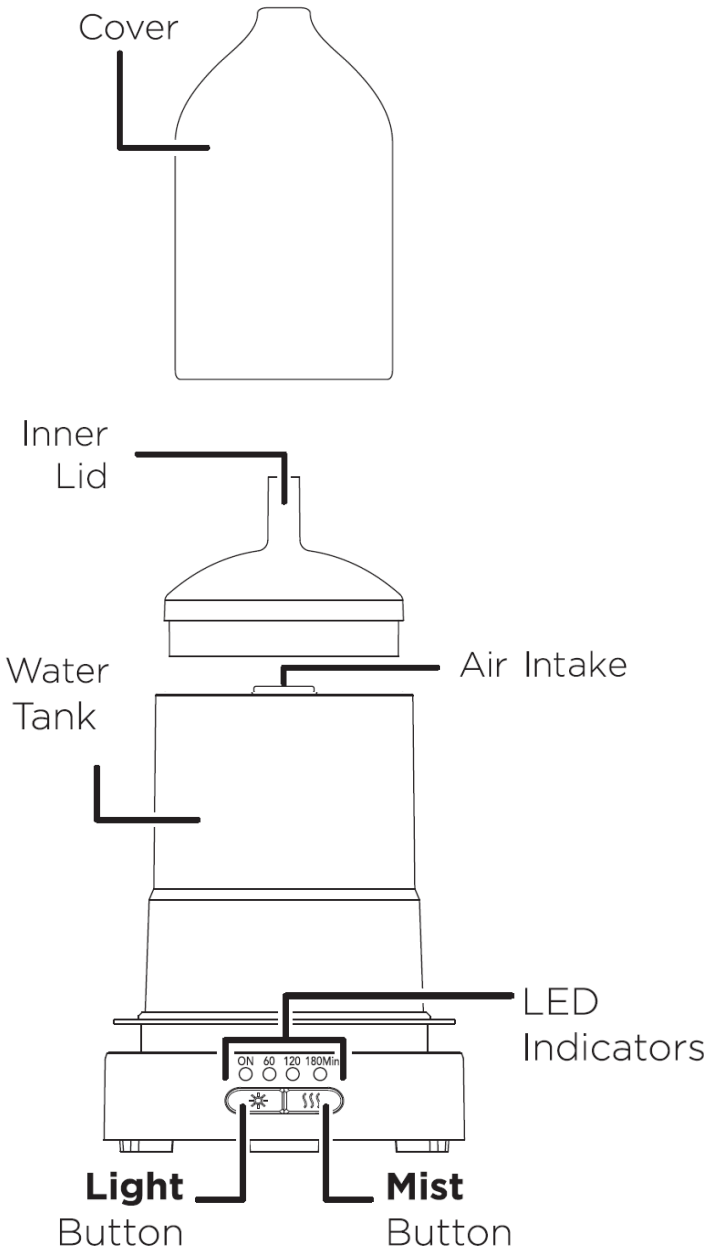
Timer has four settings: 180 minutes, 120 minutes, 60 minutes, and 30 minutes. Product will automatically shut off at the end of the time set.

Electronic Diffuser User Manual

LED Light

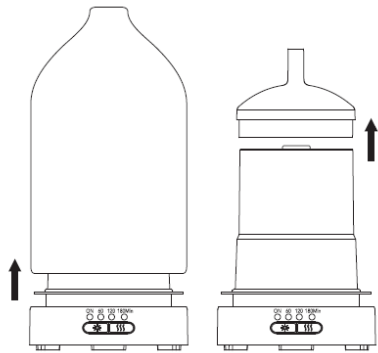
The LED light has two settings. When using with mist function, the LED light will shut off at the end of the timer or when the water tank becomes empty.

Location of Controls

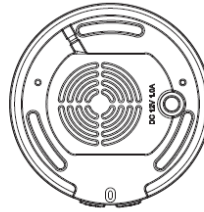


Electronic Diffuser User Manual

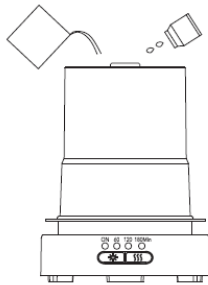
Operating your diffuser



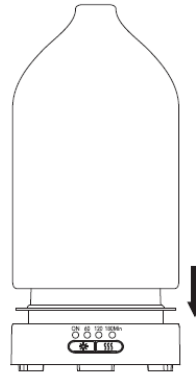
1. Remove both the ceramic cover and inner water tank cover.



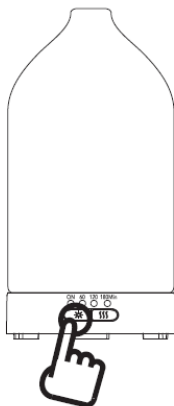
2. Plug power cable into the bottom of the Pod. Always do this before filling.



3. Fill with water to the fill line. Then add 2-3 drps of your favourite Water Soluble Essential Oil.



4. Replace both the inner water tank cover and ceramic cover.



5. Press the LIGHT button on the left to switch on the Lighting function.



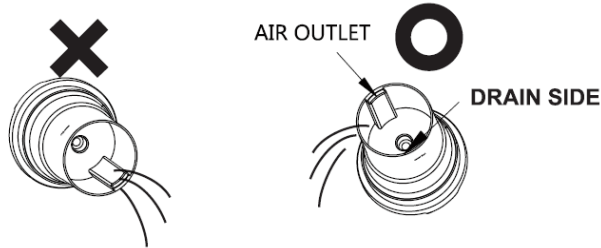
6. Press the MIST button on the right to switch on the Mist Function.

THE WHITE COMPANY

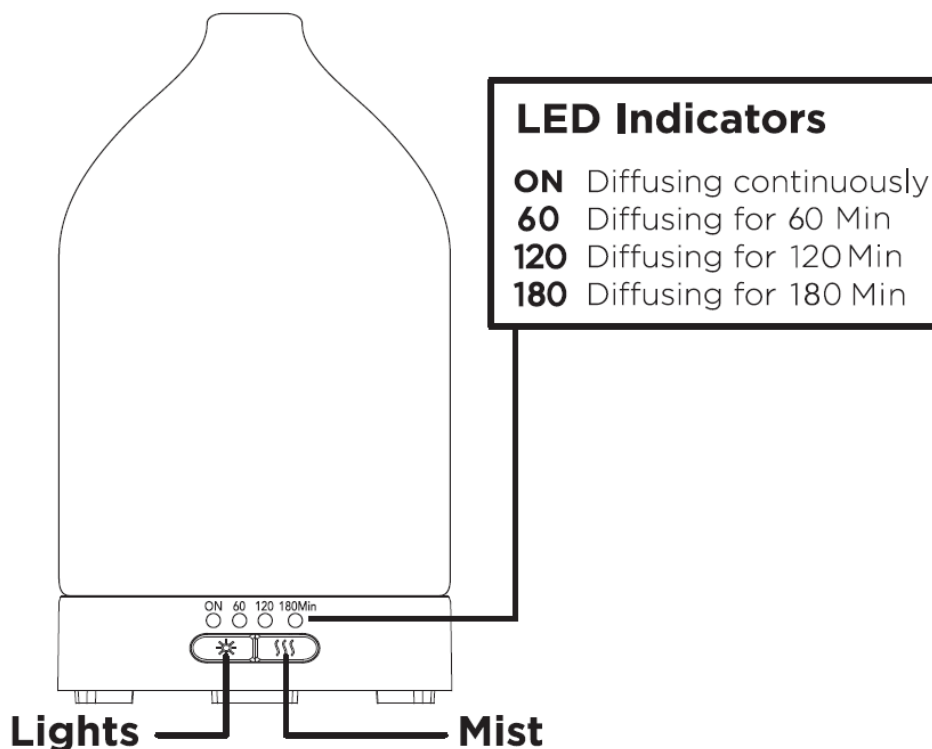
LONDON

Electronic Diffuser User Manual

NEVER ADD WATER INTO THE AIR OUTLET



- Press the **mist** button to turn the diffuser on and mist continuously until the water tank is empty. If mist stops during operation, use a cotton swab or similar to clean the inner cover diffuser outlet and air intake. Please note, mist may not be visible depending on the temperature, humidity, or other surrounding factors. Even if the mist is difficult to see, there is no malfunction as long as mist is being generated within the water tank and the fan is operating (you can hear the fan motor).
- The diffuser will shut down if there is no water in the tank
- Press the **mist** button a 2nd time and the diffuser will operate for 60min before shutting off.
- Press the **mist** button a 3rd time and the diffuser will operate for 120min before shutting off.
- Press the **mist** button a 4th time and the diffuser will operate for 180min before shutting off.



- Press the **mist** button a 5th time to turn the diffuser off.
- Press the **light** button to turn the diffuser light off.

Electronic Diffuser User Manual

CLEANING UP SPILLS:

If a spill happens due to tipping over or tilting the diffuser unit while there is water in the water tank, water may enter the internal components of the diffuser, resulting in a malfunction. If a spill happens, immediately perform the following procedures to drain the water inside.

1. Unplug the AC adaptor from the electrical outlet

Be sure to unplug the AC adaptor from the electrical outlet and turn off the diffuser before performing any procedures. Never plug in/unplug the AC adaptor with wet hands.

2. Remove the AC adaptor plug from the DC jack

After removing the AC adaptor cord from the cable guide, remove the AC adaptor plug from the DC jack.

3. Remove the outer cover

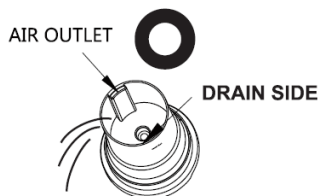
Gently lift the outer ceramic cover from the diffuser, and then remove the lid.

* When removing/replacing the outer cover, always set the diffuser on a stable horizontal surface. Do not tilt the diffuser unit at an angle.

* Water droplets will adhere to the inside of the outer cover. Accordingly, remove the cover in a location not susceptible to water damage. Set down a towel or similar to catch water droplets. Do not allow water to enter the air outlet.

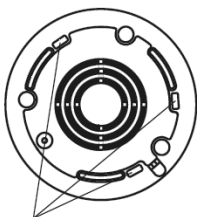
4. Dispose of water in the tank

Always tilt the diffuser unit in the direction of the water draining mark as indicated to pour out water remaining in the water tank. Never tilt the diffuser toward the air outlet when pouring out water. If water enters through the air outlet, it may cause a malfunction.



5. Dry the diffuser

Lightly shake the diffuser unit to allow water to pour out of the bottom water outlet. Allow the diffuser to dry thoroughly. Allow 24 hours for the diffuser to dry. Never use a hair dryer or similar to attempt to dry the diffuser. Allow the diffuser to air dry.



Water outlet

Electronic Diffuser User Manual

CARE/STORAGE:

For your safety, regularly perform care and maintenance for your Aroma Diffuser.

Perform the following procedures.

Perform these procedures every five to six uses or every two to three days as a rule.

1. Unplug the AC adapter from the electrical outlet

Be sure to unplug the AC adapter from the electrical outlet and turn off the diffuser before performing any procedures. Never plug in/unplug the AC adapter with wet hands.

2. Remove the AC adapter from the DC jack

After removing the AC adapter cord from the cable guide, remove the AC adapter plug from the DC jack.

3. Remove the outer cover

- Gently turn the outer cover anticlockwise (as seen from the top), and then remove the cover.
- When removing/replacing the outer cover, always set the diffuser on a stable horizontal surface. Do not tilt the diffuser unit at an angle.
- Water droplets will adhere to the inside of the outer cover. Accordingly, remove the cover in a location not susceptible to water damage. Set down a towel or similar to catch water droplets.
- Do not allow water to enter the air outlet.

4. Dispose of water in the water tank

- Always tilt the diffuser unit in the direction of the water draining mark as indicated to pour out water remaining in the water tank. Never tilt the diffuser toward the air outlet when pouring out water. If water enters through the air outlet, it may cause a malfunction.

5. Clean the ultrasonic diaphragm and water tank

- Wipe the water tank using a clean cloth dampened in a solution of warm water and neutral detergent; wring the cloth out well before use.
- Use a cotton swab or similar to clean the ultrasonic diaphragm located at the bottom of the water tank. After cleaning the tank and ultrasonic diaphragm, fill the tank with tap water and run the diffuser on a 30-minute timer.
- After the timer ends, pour out the water and wipe dry with a clean dry cloth.
- Never directly touch the ultrasonic diaphragm at the bottom of the water tank with your hand. Never subject the ultrasonic diaphragm to strong pressure.
- Any residual chlorine-based detergent, acidic detergent, or enzyme-based detergent in the diffuser may result in the formation of toxic gas. Accordingly, always use a neutral detergent.
- Always clean the interior of the water tank every two to three days. Ensure that water and parts are always kept clean.
- Using the diffuser without regular cleaning may result in water stains or mineral build up, resulting in degraded performance.

Electronic Diffuser User Manual

- Never use benzene, paint thinner, alcohol, or other chemicals to clean your diffuser. Such chemicals may damage parts, wear down graduation marks, etc.
- A dirty ultrasonic diaphragm may result in malfunction or improper operation.
- Periodically clean the ultrasonic diaphragm.

6. Clean the outer cover and inner cover

If fragrance oil comes into contact with the outer cover or inner cover, or the covers become dirty, wipe it off with a clean cloth that is soaked in diluted neutral detergent in lukewarm water and wipe with a dry cloth.

7. Storage

- Do not store this product in locations subject to high temperatures or humidity.
- Before using this product after a period of storage, clean the interior of the water tank using a neutral detergent.

DISPOSAL:

Dispose of this product and packaging materials in accordance with your local regulations. Waste electrical products should not be disposed of with household waste. Separate disposal facilities exist, for your nearest facilities, see www.recycle-more.co.uk.

TROUBLESHOOTING:

Check the following if the product appears to be broken or operating abnormally.

<p>No power. The product won't turn on, or it turns on for a short time, and then turns off.</p>	<p>Is there enough water in the water tank?</p> <ul style="list-style-type: none"> • Fill the tank up to 100ml (full) with water. • Pushing the mist switch when there is no water or when the water level is low will result in an electronic beep, after which the diffuser will shut off. • Is the AC adapter correctly connected? • Check if the AC adapter is connected to the diffuser unit and the electrical outlet. • To be sure, remove the DC plug from the diffuser unit and reinsert before checking operations.
<p>No mist is emitted. Mist emits weakly. Too much mist is emitted. It turns off sooner.</p>	<ul style="list-style-type: none"> • Is there enough water in the water tank? • Fill the tank up to 100ml (full) with water. • Water level in the water tank will decrease the closer to the end of the timed session. • Accordingly, mist volume may decrease; however, this is not a malfunction. • Is there too much water in the water tank? • Mist will not operate normally if the tank is overfilled (more than 100ml). • Is the ultrasonic diaphragm dirty? • Turn the power off, and then use a cotton swab or similar to gently clean any bubbles adhering to the ultrasonic diaphragm. <p>Are there any bubbles accumulated on or around the ultrasonic diaphragm? At low water temperatures, bubbles may accumulate on or around the ultrasonic diaphragm, preventing mist from emitting well.</p>

Electronic Diffuser User Manual

	<p>Turn the power off, and then use a cotton swab or similar to gently clean any bubbles adhering to the ultrasonic diaphragm.</p> <p>Are the outer cover and inner cover correctly installed?</p> <ul style="list-style-type: none"> • Ensure that the outer cover and inner cover are correctly in place. • When the outer cover and inner cover are misaligned, mist will not emit consistently from the diffuser outlet. • Is the air intake at the bottom of the diffuser unit dirty? • Dust, etc. accumulated around the air intake at the bottom of the diffuser unit will reduce air flow and prevent mist output. • Is the diffuser set in a location subject to high/low temperature and humidity? □ <High temperature/humidity> Mist volume will increase. Even with a full water tank (100ml maximum), water may run out prior to the end of a 180-minute timed session. This is not a malfunction. □ <Low temperature/humidity> Mist volume will decrease. Water may not be consumed as quickly as normal. This is not a malfunction. • Mist may not be visible depending on the temperature, humidity, or other surrounding factors. • Even if the mist is difficult to see, there is no malfunction as long as mist is being generated within the water tank and the fan is operating (you can hear the fan motor).
<p>Water is leaking from the diffuser unit</p>	<ul style="list-style-type: none"> • Is the outer cover installed correctly? • Is the inner cover misaligned or missing? • Ensure that the outer cover and inner cover are correctly in place. If the outer cover and inner cover are misaligned, mist will not reach the diffuser outlet, and water will leak inside the diffuser unit.

Manufactured by:

Lulu Import and Export Co, Ltd. No.45 Qinglongdadao, Henglan town, Zhongshan, Guangdong, China

Imported by:

The White Company, 2 Television Centre, London, W12 7FR

UK Tel: 020 375 89 222

Outside of UK Tel: 0044 2037 589 222